



**MASALTA®**

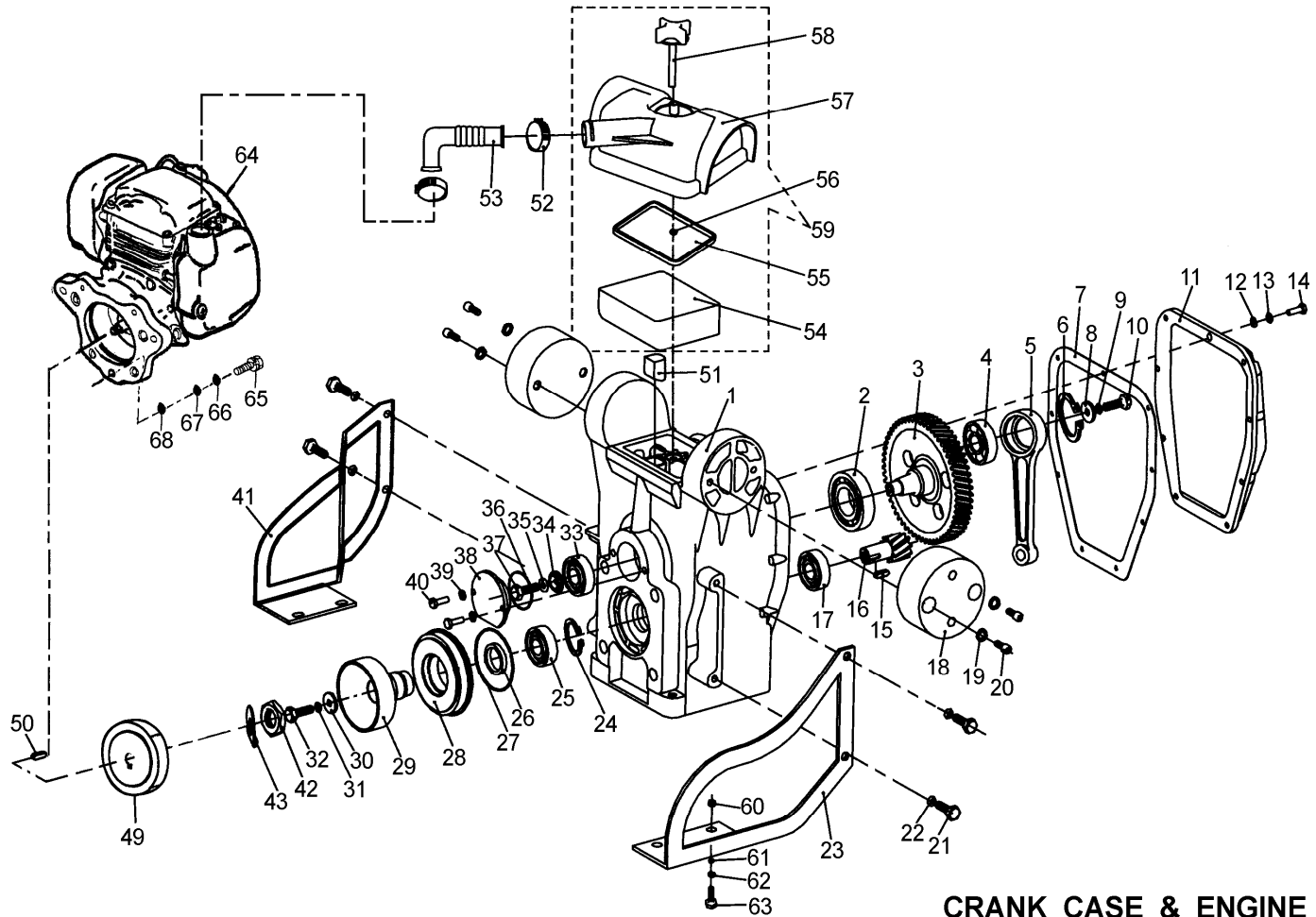


# **PARTS LIST**

## **TAMPING RAMMER**

### **MR68H/MR75R**



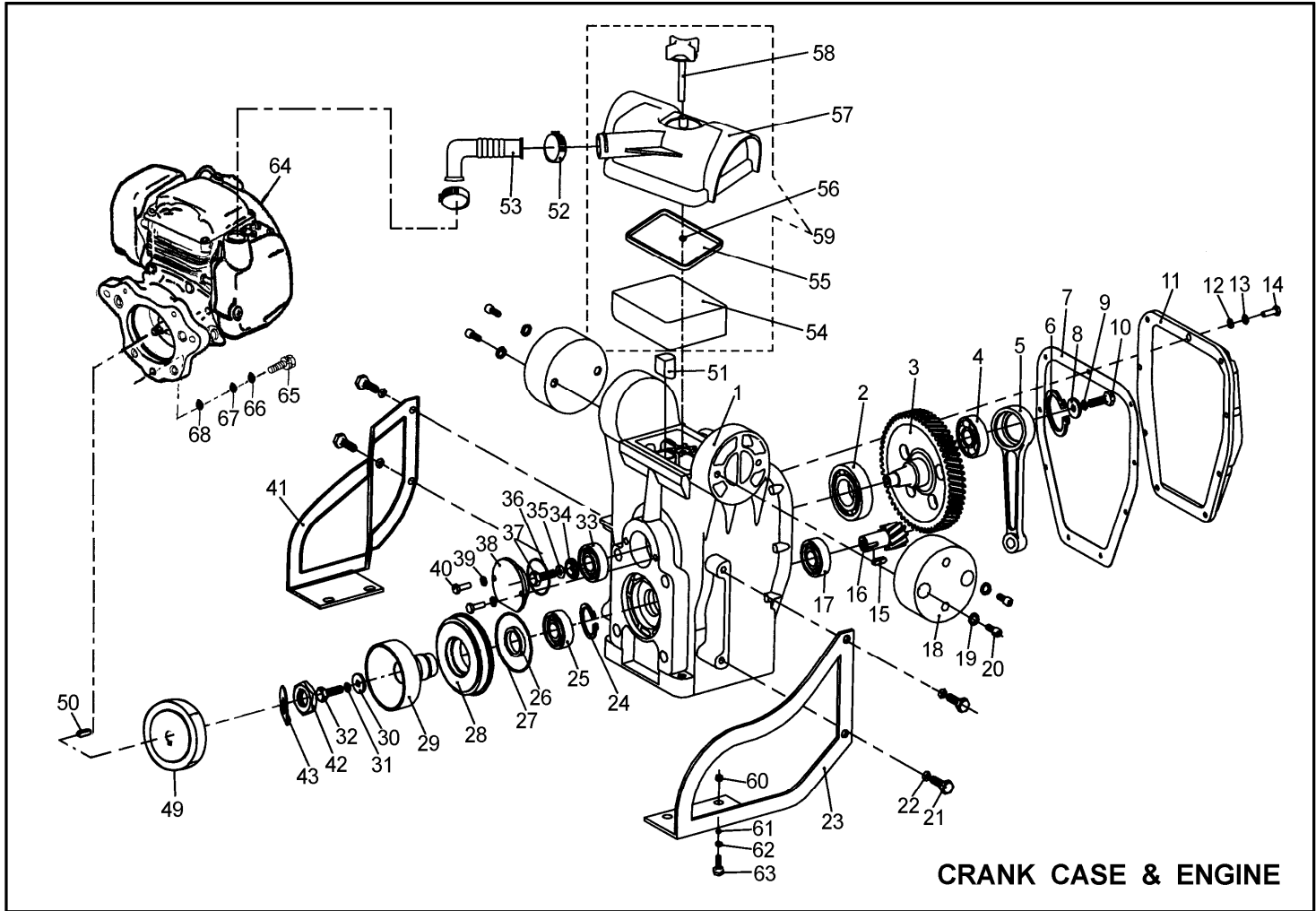


**CRANK CASE & ENGINE**

CRANK CASE & ENGINE

ITEM NO.	NEW PART NO.	OLD PART NO.	DESCRIPTION	QTY
1	MRS80-804001C	R680804001-1	CRANK CASE	1
		R680804001-2		1
2	6204	T276-6207	BEARING 6207-GB276	1
3	MRS80-804101B	R680804101-1	CRANK GEAR FOR MR68H	1
	MRS80-804101C	R680804101-2	CRANK GEAR FOR MR75R	1
4	6304	T276-6304	BEARING 6304-GB276	1
5	MRS80-804301A	R680804301	CONNECTING ROD	1
6	GB893.1-52	T893.1-52	RETAINING RING 52-GB893.1	1
7	MRS80-804003A	R680804003	PACKING, FRONT COVER	1
8	MRS80-804302	R680804102	RETAINING RING	1
9	GB93-8	T93-8	SPRING WASHER 8-GB93	1
10	GB5783-M8X25	T5783-M8X25	BOLT M8X25-GB5783	1
11	MRS80-804002B	R680804002	GEAR COVER	1
12	GB97.1-6	T97.1-6	WASHER 6-GB97.1	9
13	GB93-6	T93-6	SPRING WASHER 6-GB93	9
14	T5783-M6X20	T5783-M6X20	BOLT M6X20-GB5783	9
15	GB1096-5X20	T1096-5X20	KEY FOR MR68H	1
	GB1096-6X20	T1096-6X20	KEY FOR MR75R	1
16	MRS80-804201B	R680804201-1	GEAR SHAFT FOR MR68H	1
	MRS80-804201C	R680804201-2	GEAR SHAFT FOR MR75R	1
17	6204	T276-6204	BEARING 6204-GB276	1
18	MRS80-806000	R680806000	VIBRATION DAMPER	2
19	GB93-10	T93-10	SPRING WASHER 10-GB93	4
20	GB70-M10×20	T70-M10X20	HEXAGONAL BOLT M10X20-GB70	4
21	GB5783-M8X20	T5783-M8X20	BOLT M8X20-GB5783	4
22	GB93-8	T93-8	SPRING WASHER 8-GB93	4
23	MRS80-805002/R	R680805001-1	PROTECTION FRAME, RIGHT FOR MR68H	1
	MRS80-805003/R	R680805001-2	PROTECTION FRAME, RIGHT FOR MR75R	1
24	GB/894.1-35	T894.1-1986-35	RETAINING RING 35-GB/T894.1-1986	1
25	6007Z	T278-6007Z	BEARING 6007Z-GB278	1
26	GB/T13871-40×52×8-FB	T13871-1992-40X52X8	SEAL 40X52X8-F GB/T13871-1992	1
27	GB3452.1-95X2.65	T3452.1-95X2.65	O-RING 95X2.65-GB3452.1	1
28	MRS80-808000B	R680808000-1	SPACE FOR MR68H	1
	MRS80-808000B2	R680808000-2	SPACE FOR MR75R	1
29	MRS80-807000a	R680807000-1	CLUTCH DRUM FOR MR68H	1
	MRS80-807000b	R680807000-2	CLUTCH DRUM FOR MR75R	1
30	MRS80-804202	R680804202	RETAINING RING	1
31	GB93-8	T93-8	SPRING WASHER 8-GB93	1
32	GB5783-M8X30	T5783-M8X25	BOLT M8X25-GB5783	1
33	6204	T276-6204	BEARING 6204-GB276 (CHINESE)	1

(TO BE CONTINUED)

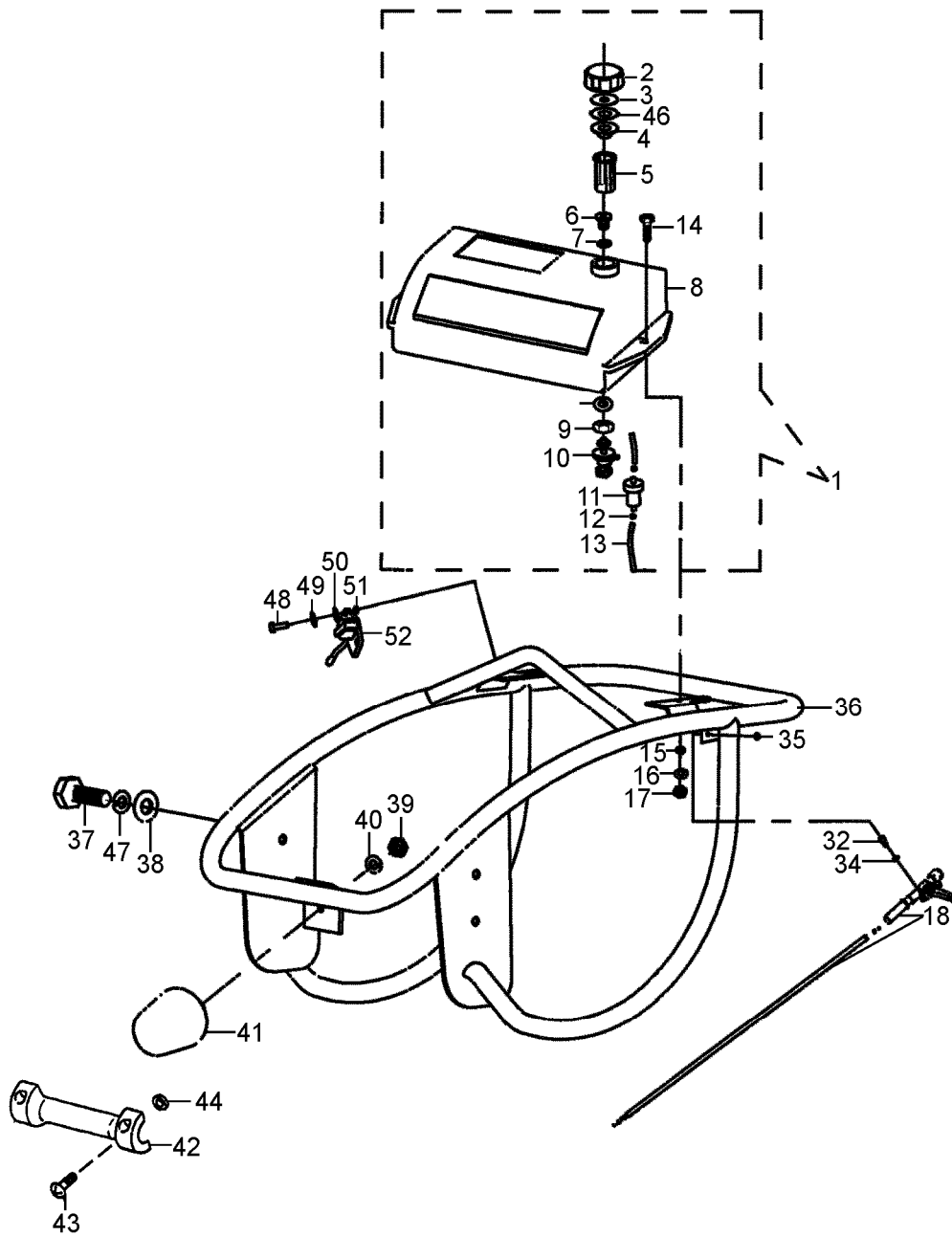


**CRANK CASE & ENGINE**

## CRANK CASE & ENGINE

ITEM NO.	NEW PART NO	OLD PART NO.	DESCRIPTION	QTY
34	MRS80-804102	R680804302	RETAINING RING	1
35	GB93-8	T93-8	SPRING WASHER 8-GB93	1
36	GB3452.1-43.7X1.8	T3452.1-43.7X1.8	O-RING 43.7X1.8-GB3452.1	1
37	GB5783-M8X25	T5783-M8X25	BOLT M8X25-GB5783	1
38	MRS80-804004	R680804004-1	BEARING COVER FOR MR68H	1
	MRS80-804004A	R680804004-2	BEARING COVER FOR MR75R	1
39	GB93-6	T93-6	SPRING WASHER 6-GB93	2
40	GB5783-M6X20	T5783-M6X20	BOLT M6X20-GB5783	2
41	MRS80-805002/L	R680805002-1	PROTECTION FRAME, LEFT FOR MR68H	1
	MRS80-805003/L	R680805002-2	PROTECTION FRAME, LEFT FOR MR75R	1
42	GBT808-M12×1.25	T808-1988-M12X1.25	NUT M12X1.25 GB/T808-1988	1
43	MRS80-809006	T856-1988-12	WASHER 12 GB/T856-1988	1
49	MRS80-809000	R680809000	CLUTCH ASSY.	1
50	MTSP-G001	R680809006	KEY 4X12	1
51	MRS80-804005	R680804405	ELEMENT	1
52	MTSP-H003	R680804407	HOSE CLAMP 25-38 (3.0HP)	2
53	MRS80-801011	R680804406-1	INTAKE PIPE FOR MR68H	1
	MRS80-801011A	R680804406-2	INTAKE PIPE FOR MR75R	1
54	MRS80-804403	R680804403	AIR CLEANER ELEMENT	1
55	MRS80-804404	R680804404	PACKING, AIR CLEANER	1
56	GB3452.1-7.5×1.8	R680804408	O-RING 7.5X1.8	1
57	MRS80-804401	R680804401	AIR CLEANER COVER	1
58	MRS80-804402	R680804402	KNOB	1
59	MRS80-804400	R680804400	AIR CLEANER ASSY.	1
60	GB/T6170-M8	T6170-1986-M8	NUT M8 GB/T6170-1986 (MR75R ONLY)	4
61	GB97.1-8	T97.1-8	WASHER 8-GB97.1	4
62	GB93-8	T93-8	SPRING WASHER 8-GB93	4
63	GB5783-M8X30	T5783-M8X30	BOLT M8X30-GB5783 FOR MR68H	4
	GB5783-M8X40	T5783-M8X40	BOLT M8X40-GB5783 FOR MR75R	4
64	081000	R680804409-1	HONDA GX100 ENGINE	1
	051210	R680804409-2	ROBIN EH12-2D ENGINE	1
65	T5783-M8X40	T5783-M10X40	BOLT M8X40-GB5783 FOR MR68H	4
	T5783-M10X50	T5784-M10X35	BOLT M10X50-GB5783 FOR MR75R	2
66	GB93-8	T93-8	SPRING WASHER 8-GB93 FOR MR68H	4
	GB93-10	T93-10	SPRING WASHER 10-GB93 FOR MR75R	4
67	GB97.1-8	T97.1-8	WASHER 8-GB97.1 FOR MR68H	4
	GB97.1-10	T97.1-10	WASHER 10-GB97.1 FOR MR75R	4
68	T6170-1986-M10	T6170-1986-M8 T6170-1986-M10	NUT M10 GB/T6170-1986	4

\*\*\*ITEM NO.59 INCLUDING ITEM NO.54-58.

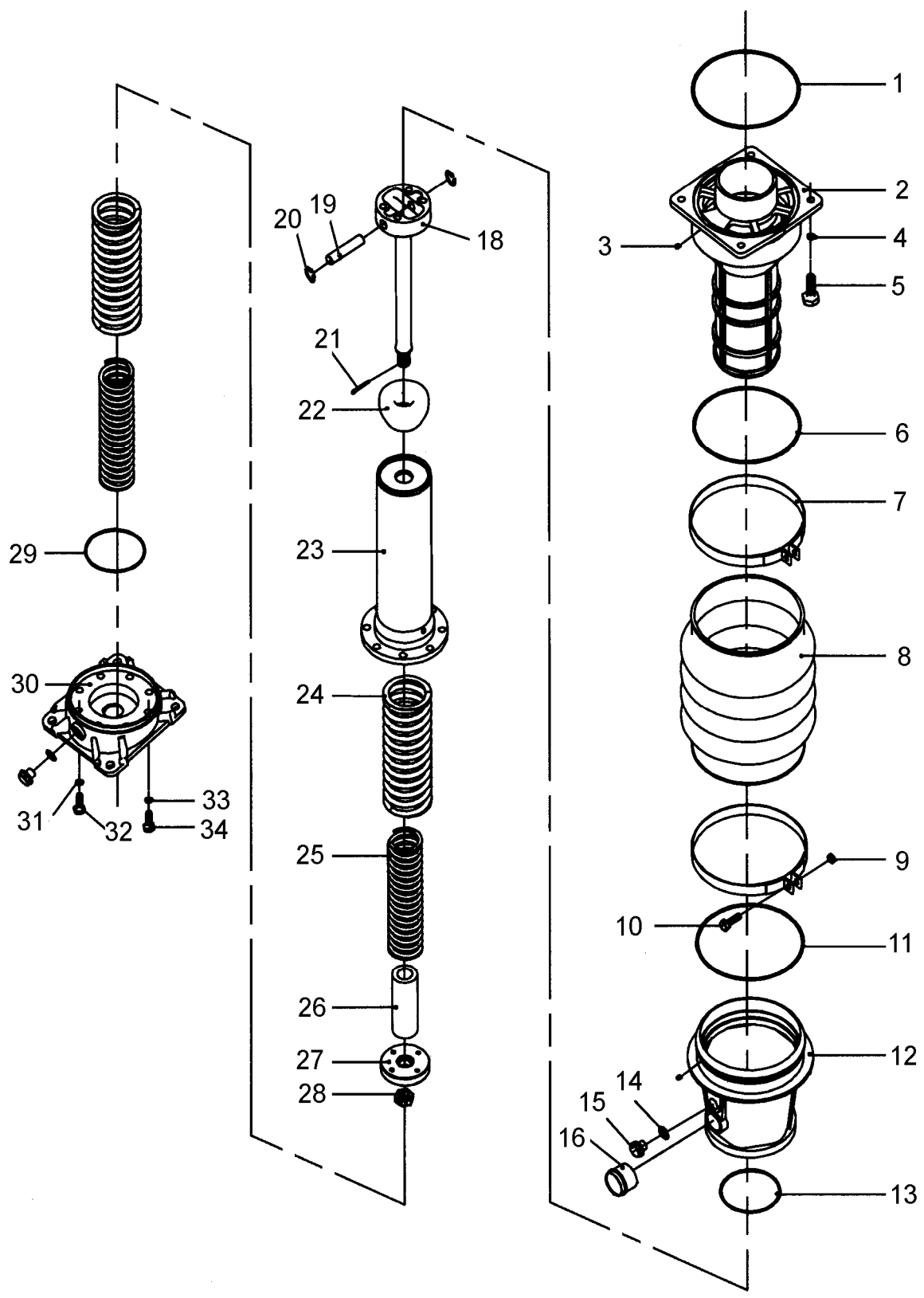


TANK & HANDLE

## TANK & HANDLE

ITEM NO.	NEW PART NO	OLD PART NO.	DESCRIPTION	QTY
1	MRS80-801000	R680801000	TANK ASSY.	1
2	MRS80-801003	R680801003	TANK CAP	1
3	MRS80-801005	R680801005	PACKING, FUEL TANK	1
4	MRS80-801004	R680801004	HOLDER, COCK	1
5	MRS80-801002	R680801002	OIL STRAINER	1
6	MRS80-801007	R680801007	CONNECTOR	1
7	GB3452.1-14X3.55	T3452.1-1992-14X3.55	O-RING 14X3.55-GB3452.1-1992	1
8	MRS80-801001	R680801001	TANK	1
9	GB6173-M14X1.5	T6170-1986-M14X1.5	NUT M14X1.5-GB/T6170-1986	1
10	MRS80-801006	R680801006	FUEL COCK	1
11	MRS80-801008	R680801008	FUEL FILTER	1
12	MTSP-H002	R680801009	HOSE CLAMP	2
13	MTSP-H001	R680801010	FUEL HOSE	2
14	GB5783-M8X30	T5783-M8X30	BOLT M8X30-GB5783	2
15	GB97.1-8	T97.1-8	WASHER 8-GB97.1	2
16	GB93-8	T93-8	SPRING WASHER 8-GB93	2
17	T6170-M8	T6170-1986-M8	NUT M8 GB/T6170-1986	2
18	MRS80-809910D	AR680805001	THROTTLE CONTROL ASSY. (INCLUDING CABLE)	1
32	GB70-M6X16	T5783-M6X30	BOLT M6X30-GB5783	2
34	GB93-6	T93-6	SPRING WASHER 6-GB93	2
35	T6170-M8	T6170-1986-M6	NUT M6 GB/T6170-1986	2
36	MRS80-805001C	R680805000	HANDLE	1
37	GB5783-M10X20	T5783-M10X20	BOLT M10X20-GB5783	4
38	GB93-10	T93-10	SPRING WASHER 10-GB93	4
39	T6170-M8	T6170-1986-M8	NUT M8 GB/T6170-1986	1
40	GB93-8	T93-8	SPRING WASHER 8-GB93	1
41	MRS80-805004	R680805010	RUBBER	1
42	MRS80-805011	R680805011	ROLLER	1
43	GB/T70.1-M5X16	T818-1986-M5X25	BOLT M5X25-GB/T818-M5X25	1
44	GB/T889.1-M5	T6183-1985-M5	NUT M5-GB/T6183-1986	1
46	MRS80-801010		PACKING, FUEL TANK	1
47	GB97.1-10		WASHER 6-GB97.10	4
48	GB818-M4X14		BOLT M4X14	2
49	GB93-4		SPRING WASHER 4	2
50	GB97.1-4		WASHER 4	2
51	T6170-M4		NUT M4	2
52	MTSP-G002		ON-OFF SWITCH	1

\*\*\* ITEM NO.1 INCLUDING ITEM NO.2-13, 46.

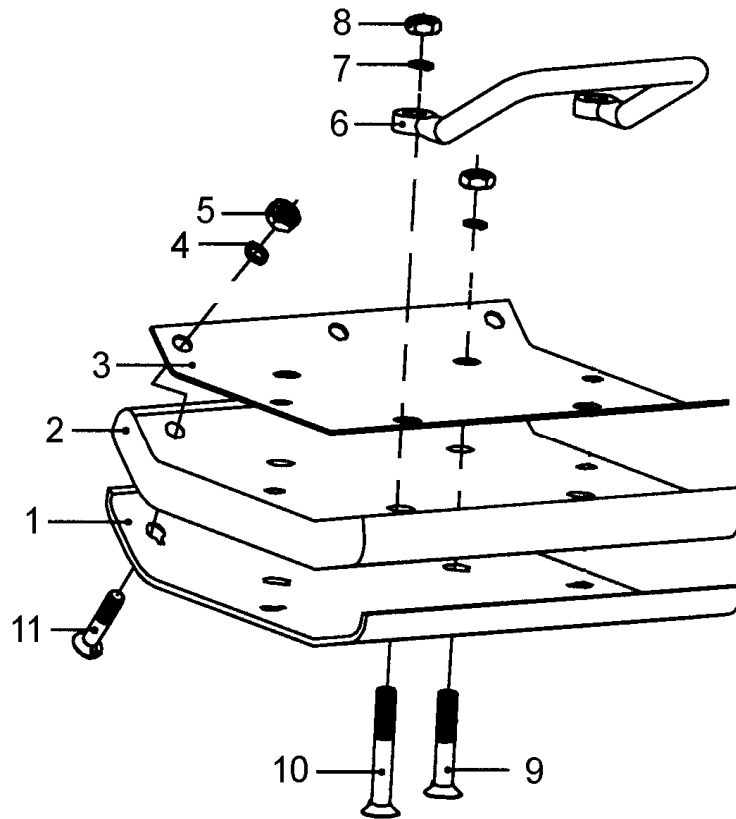


**GUIDE CYLINDER & SPRING ASSY.**



## GUIDE CYLINDER & SPRING ASSY.

ITEM NO.	NEW PART NO	OLD PART NO.	DESCRIPTION	QTY
1	GB3452.1-160×5.3	T3452.1-160X5.3	O-RING 160X5.3-GB3452.1	1
2	MRS80-803201A	R680803201	GUIDE CYLINDER	1
3	MRS80-803202	T119-6X8	PIN 6X8-GB119	2
4	GB93-10	T93-10	SPRING WASHER 10-GB93	4
5	GB5783-M10X35	T5783-M10X35	BOLT M10X35-GB5783	4
6	GB3452.1-160×3.55	T3452.1-160X3.55	O-RING 160X3.55-GB3452.1	1
7	MRS80-803204	R680805003	BELLOW CLAMP	2
8	MRS80-803203	R680803110	BELLOW	1
9	GB/T6170-M8	T6170-1986-M8	NUT M8 GB/T6170-1986	2
10	T5783-M8X35	T5783-M8X40	BOLT M8X40-GB5783	2
11	GB3452.1-160×3.55	T3452.1-160X3.55	O-RING 160X3.55-GB3452.1	1
12	MRS80-803111B	R680803111	PROTECTION SLEEVE	1
13	GB3452.1-95×2.65	T3452.1-95X2.65	O-RING 95X2.65-GB3452.1	1
14	MRS80-803112	R680803112	COPPER WASHER 14	2
15	JB/ZQ4450-M14×1.5	R680803113	PLUG M14X1.5	2
16	GB1160.2-M24×1.5	T1160.2-M24X1.5	LEVEL GAUGE M24X1.5-GB1160.2	1
18	MRS80-803301A	R680803301	PISTON ROD	1
19	MRS80-803302	R680803302	PISTON PIN	1
20	GB893.1-15	T893.1-15	RETAINING RING 15-GB893.1	2
21	GB/T91-3.2×32	T91-1986-3X32	PIN 3X32 GB/T91-1986	1
22	MRS80-803304	R680803304	STOPPER, UPPER	1
23	MRS80-803102A	R680803102	SPRING CYLINDER	1
24	MRS80-803001B	R680803001	SPRING, OUTER	2
25	MRS80-803002B2	R680803002	SPRING, INNER FOR MR68H	2
	MRS80-803002B		SPRING, INNER FOR MR75R	2
26	MRS80-803305	R680803305	STOPPER, LOWER	1
27	MRS80-803303	R680803303	PISTON END	1
28	GB/T6178-M18×1.5	R680803115	NUT M18X1.5	1
29	GB3452.1-87.5×3.55	R680803116	O-RING 87.5X3.55	1
30	MRS80-803101B	R680803101	FOOT PLATE	1
31	GB93-10	T93-10	SPRING WASHER 10-GB93	4
32	GB70-M10×20	T70-M10X20	HEXAGONAL BOLT M10X20-GB70	4
33	GB93-10	T93-10	SPRING WASHER 10-GB93	4
34	GB70-M10×40	T70-M10X40	HEXAGONAL BOLT M10X40-GB70	4



FOOT ASSY.

ITEM NO.	NEW PART NO	OLD PART NO.	DESCRIPTION	QTY
1	MRS80-802001	R680802001	METAL SHEET	1
2	MRS80-802002	R680802002	FOOT	1
3	MRS80-802003	R680802003	FOOT COVER	1
4	GB93-10	T93-10	SPRING WASHER 10-GB93	7
5	GBT889-M10	T889-M10	HEXAGONAL NUT M10-GB889	7
6	MRS80-802006	R680802008	LIFTING HOOK	1
7	GB93-12	T93-12	SPRING WASHER 12-GB93	4
8	GBT889-M12	T889-M12	HEXAGONAL NUT M12-GB889	4
9	MRS80-802004-70	T11-M12X65	SCREW M12X65-GB11	2
10	MRS80-802004-75	T11-M12X75	SCREW M12X75-GB11	2
11	MRS80-802005	T11-M10X50	SCREW M10X50-GB11	7



*Distributed By*



**MASALTA ENGINEERING CO., LTD**

Add: Weisi Road, Baohe Industrial Estate, Hefei, China  
Tel: 86-551-4846600, 4846601 Fax: 86-551-4846616  
E-mail: [sales@masalta.com.cn](mailto:sales@masalta.com.cn), [masalta@mail.hf.ah.cn](mailto:masalta@mail.hf.ah.cn),  
[Http://www.masalta.com.cn](http://www.masalta.com.cn)